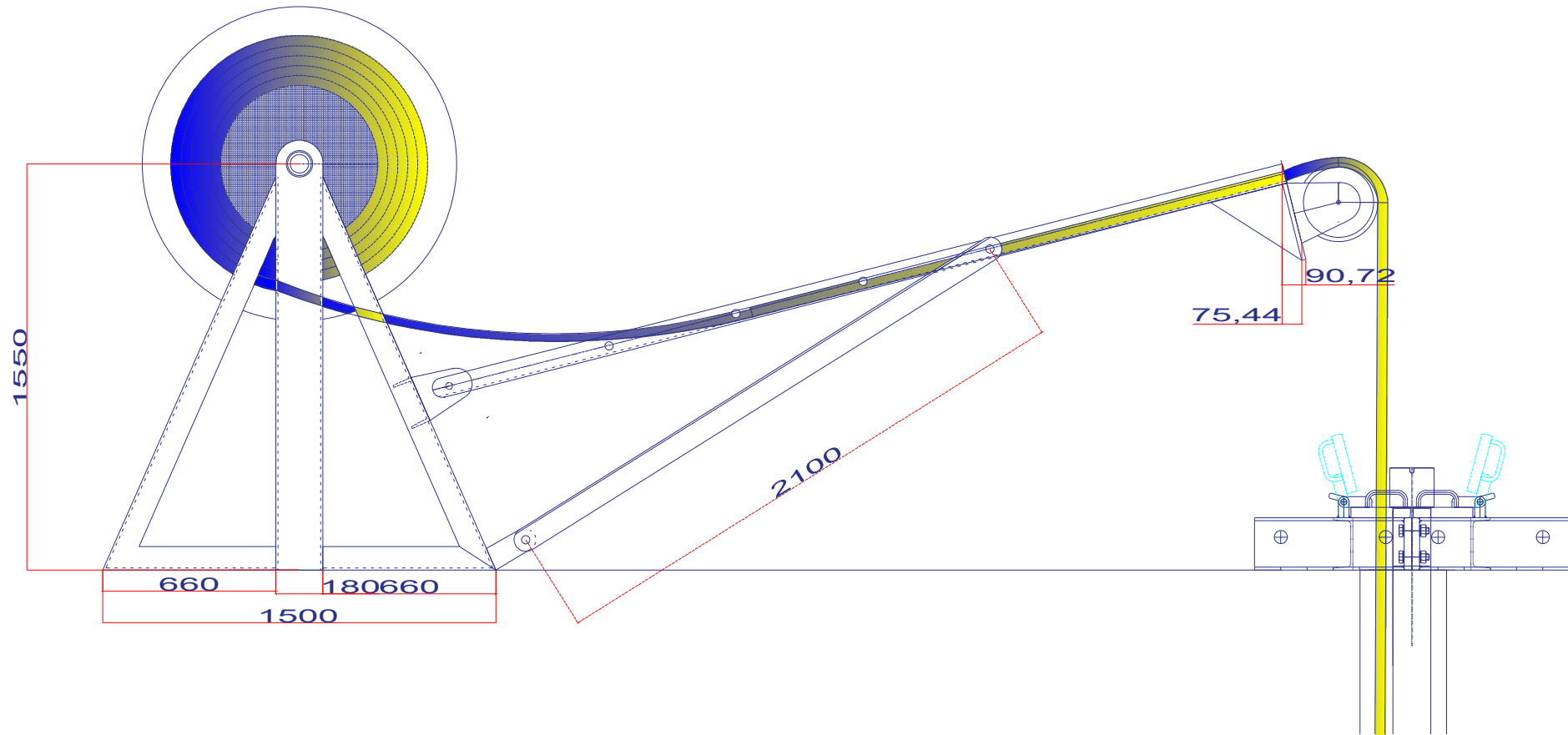


Carl Hamm

Pipes | Pumps | Solutions

carl-hamm.co.za



Proprietary information - Do not Copy or redistribute

C: +27 72 256 0926 T: +27 10 900 2005 F: +27 86 431 2518

 **Carl Hamm**
Pipes | Pumps | Solutions
56 Detroit Street, Unit 5, Apex, Benoni, 1501
www.carl-hamm.co.za

Carl Hamm PPS (PTY) Ltd - Reg: 2016/209786/07
CEO & Director: CJ Munnick; Director: GM Haurand; Director P Hamm; Director MW Müller *German