



CONTENTS



ZSM Riser Pipes



Riser Pipes with Flange Connection



Riser Hose

RISER PIPES

- Sizes from DN 50 to DN 250
- Lengths up to 6 m
- Wall thickness from 2.0 to 6.0 mm
- Seamless or longitudinally seam-welded

Basic material

Stainless steel

S235JR (ST37-2) plastic-coated steel serves as a basic material, Rilsan-coated, approved for drinking water. Conforms to KTW requirements [official German recommendation concerning the levels of polymers in drinking water] as recommended by the German Federal Department of Health.

S235JR (ST37-2) galvanized steel serves as a basic material, only suitable to a limited extent for drinking water, to be used for flange connections only.

Properties and suitability

Stainless steel of various qualities depending on groundwater condition and temperature

M No. 1.4301 (X5CrNi18-10), AISI 304

This type of steel is resistant to water and slightly polluted waste water as well as weak organic and inorganic acids. Generally, it is resistant to a pH value up to approx. 4.5 in aggressive substances low in chloride.

M No. 1.4541 (X6CrNiTi18-10), AISI 351

This type of steel has excellent resistance properties to a variety of aggressive media. Furthermore, this material is characterised by good ductility.

M No. 1.4571 (X6CrNiMoTi17-12-2), AISI 316Ti

Similar properties as 1.4404 but with guaranteed resistance to intergranular corrosion due to an increased titanium content.

Additional materials on request



CONNECTIONS

The choice of connections largely depends on technical requirements and installation guidelines for construction sites.

4 connection types on offer:

- Riser pipes with welded neck flange
- Riser pipes with smooth flange
- ZSM riser pipes
- Threaded riser pipes

ZSM riser pipe connections

- Minimum space requirement – in case of cramped installation conditions
- Quick assembly/disassembly
- Two rods – double safety
- Two O-rings
- 1.4301, AISI 304 or 1.4571, AISI 316 stainless-steel material
- Size DN 50 to DN 250
- Nominal pressure 40 bar



Welded neck flange



Smooth flange

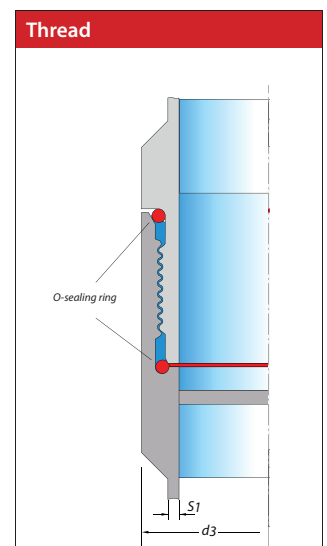
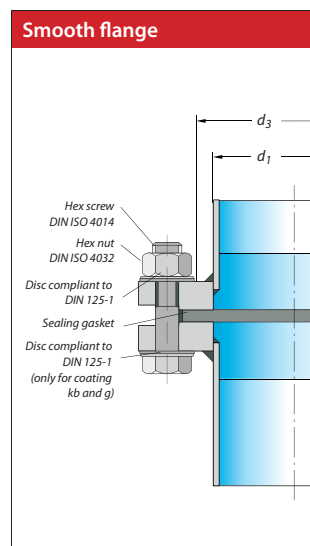
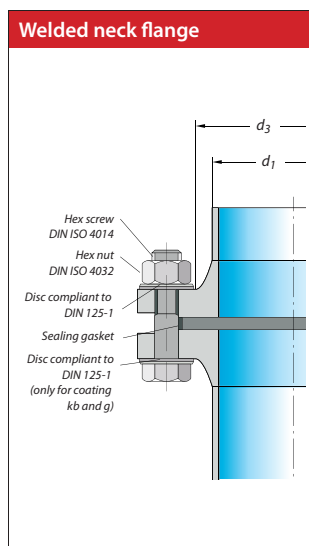
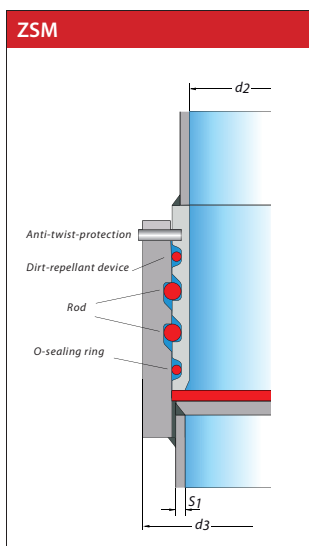


ZSM riser pipes



Threaded riser pipe

Connections outer diameter d3									
Nominal diameter	DN	50	65	80	100	125	150	200	250
Welded neck flange, smooth flange DIN 4927	[mm]	165	185	200	220	250	285	340	405
ZSM connection	[mm]	85	106	118	140	170	200	253	316
Thread with two O-rings compliant to DIN 4942	[mm]	76.1	88,9	108	133	159	188	238	



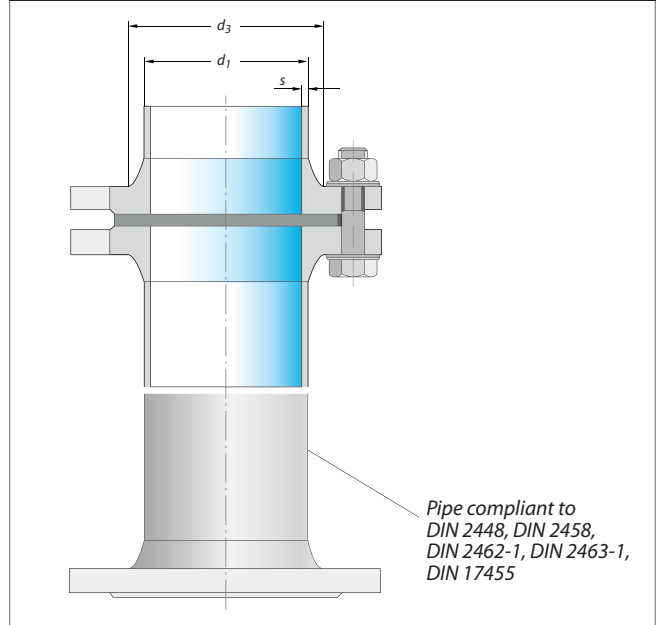
TECHNICAL DATA

Pipe DIN 2463

Nominal diameter	DN	50	65	80	100	125	150	200	250
Wall thickness s	[mm]	2.0	2.0	2.0 2.6	2.6	2.6	2.6	3.0	3.0
Outer Ø d1	[mm]	60.3	76.1	88.9	114.3	139.7	168.3	219.1	273

Higher wall thicknesses on request.

Pipe and flange connections



Cable notches

Nominal diameter	DN	50	65	80	100	125	150	200
	PN	16	16	16	16	16	16	16
c	[mm]	48	48	48	55	65	75	60
r	[mm]	15	15	15	20	30	35	20
t	[mm]	30	30	30	30	30	35	35

Flanges with 2 cable notches each on both sides, optionally staggered by 180° or 90°. Additional notches on request.

